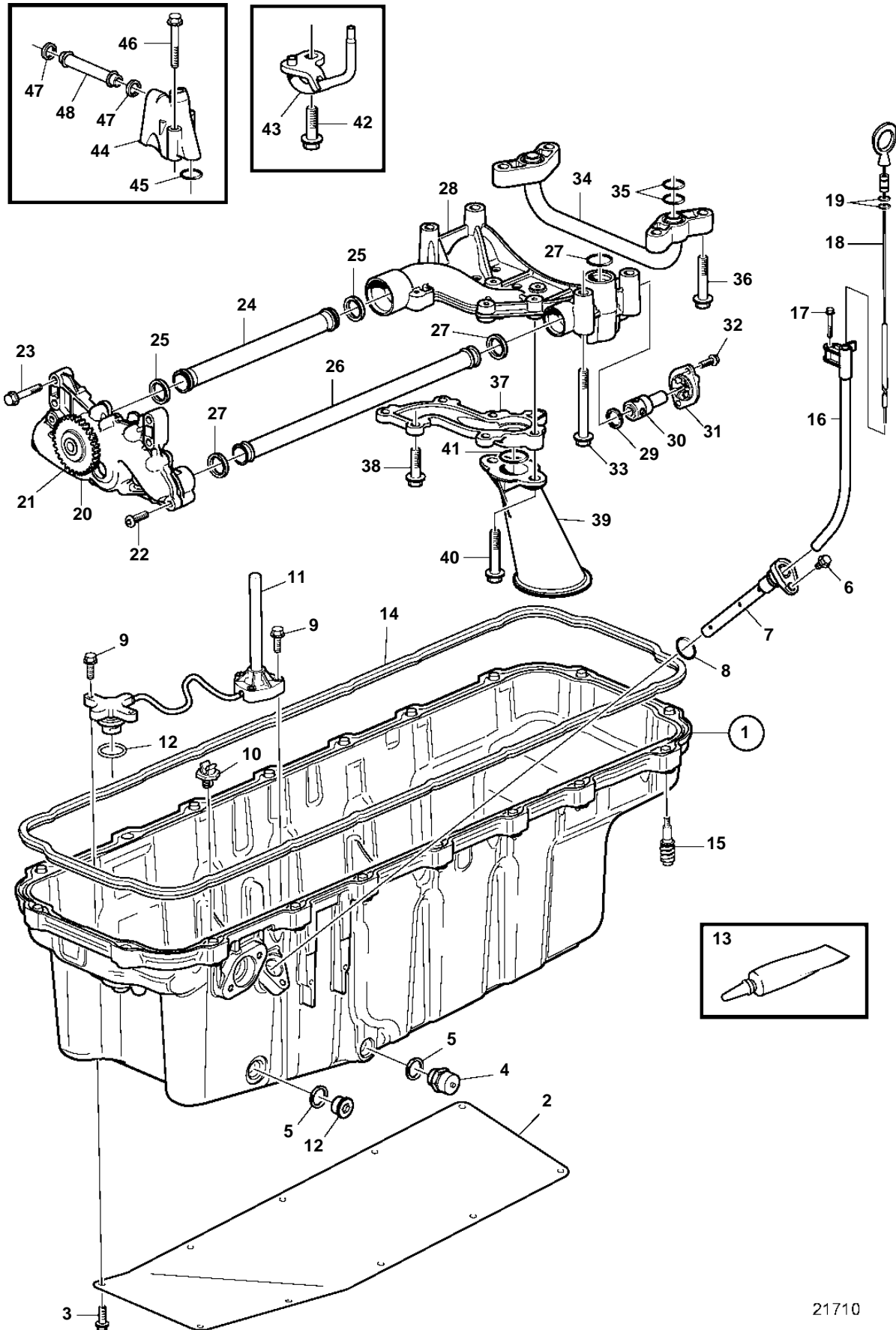


D9A2A MG



21710

D9A2A MG

REF	PART NO.	QTY	DESCRIPTION		NOTES
1	20753945	1	Oil pan		
2		1	· Plate	NS	
3	980894	10	· 6 point socket screw		
4		1	· Valve		
5	18813	2	· Gasket		
6	946440	1	· Flange screw		
7	20724256	1	· Tube		(20464233)
8	949656	1	· O-ring		
9	948356	5	· Screw		
10	20700754	1	· Clip		
11	3173797	1	· Sender		
12	949175	1	· Magnetic plug		
13	1161277	1	Sealant		
14	8148213	1	Gasket		
15	20463185	18	Flange screw		
16	3812381	1	Tube		
17	975371	1	6 point socket screw		
18	3817534	1	Oil dipstick		
19	949187	2	· O-ring		
20	20758237	1	Oil pump		
			Comps. not spec.		
21	8148139	1	Gear		
22		10	6 point socket screw		
23	947760	4	Flange screw		
24	20405083	1	Suction pipe		
25	20451487	2	Sealing ring		
26	20405081	1	Delivery pipe		
27	8170558	3	Sealing ring		
28	20412866	1	Valve housing		
29	469846	1	· Sealing ring		
30	3826265	1	· Reducing valve		
31	471648	1	· Cover		
32	946934	2	· Flange screw		
33	947790	4	Flange screw		
34	20412574	1	Tube		
35	471956	4	Sealing ring		
36	965186	4	Flange screw		
37		1	Cover		
38	946671	4	Flange screw		
39	3161262	1	Oil pump screen		
40	973924	2	Flange screw		
41	948610	1	O-ring		
42	966378	6	Flange screw		
43	8148129	6	Nozzle		
44	8170702	1	Intermediate section		
45	1636309	1	Sealing ring		
46	3165142	2	Flange screw		
47	1677370	2	Sealing ring		
48	8148187	1	Connection pipe, rocker arm shaft		